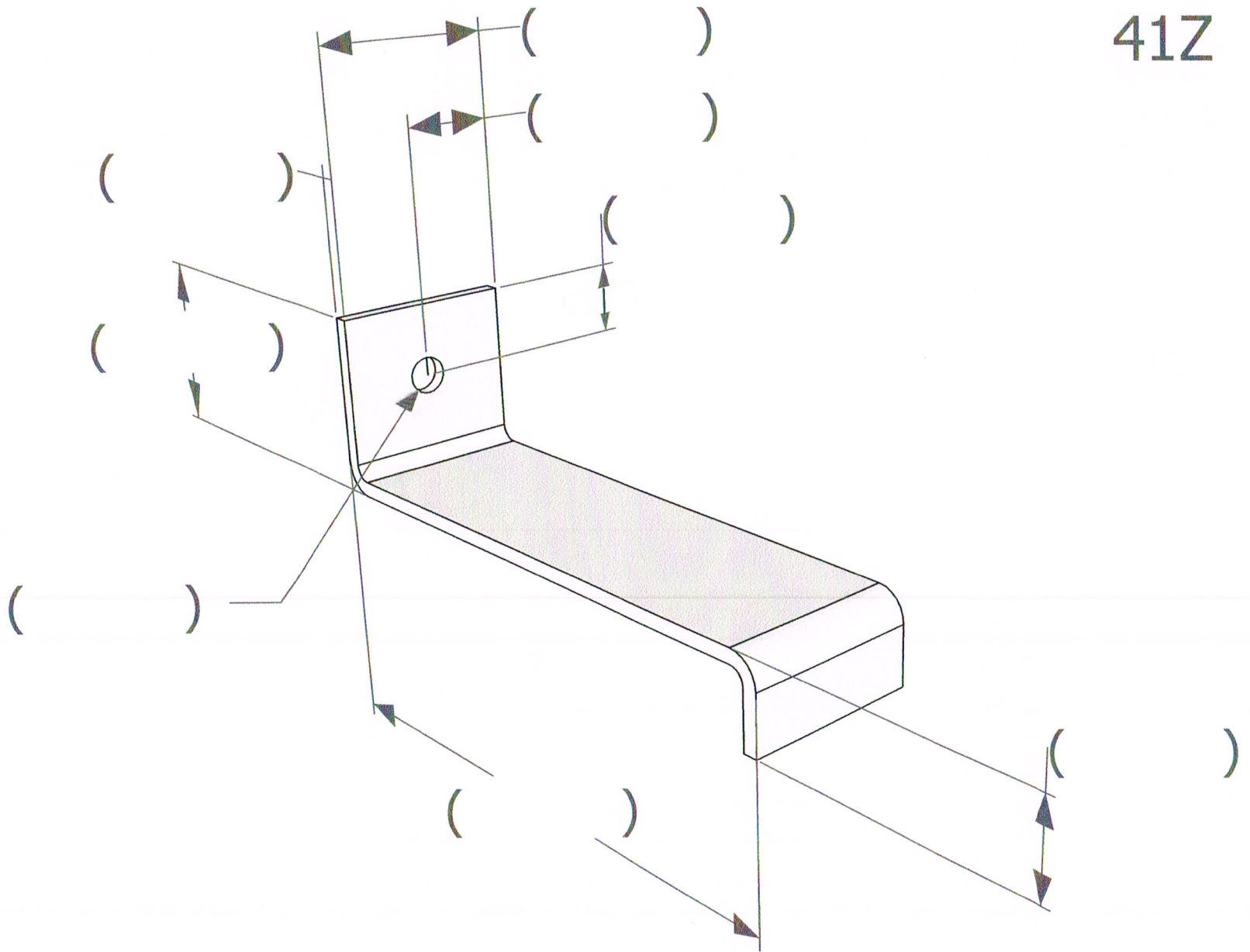


41Z



SCHMIDT-RIFFER METALCRAFTS INC.